



Similar to the illustration

grid | power VR X and VR X-FT

Valve regulated lead-acid batteries

Typical applications:

- Uninterruptible power supply (UPS)
- Telecommunications
 - Mobile phone stations
 - BTS-stations
 - Off-grid/on-grid solutions
- Power supply systems
- Emergency lighting

Your benefits:

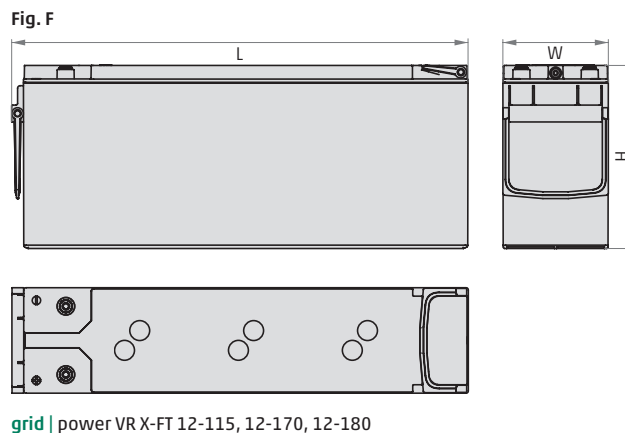
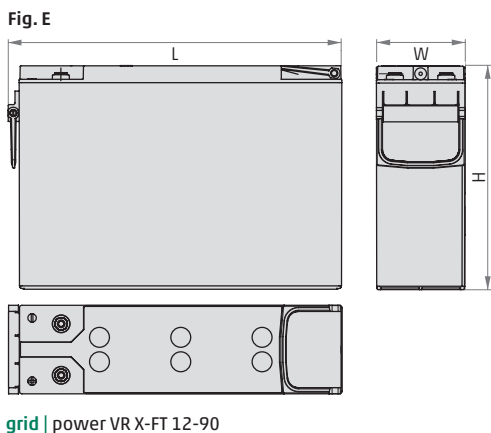
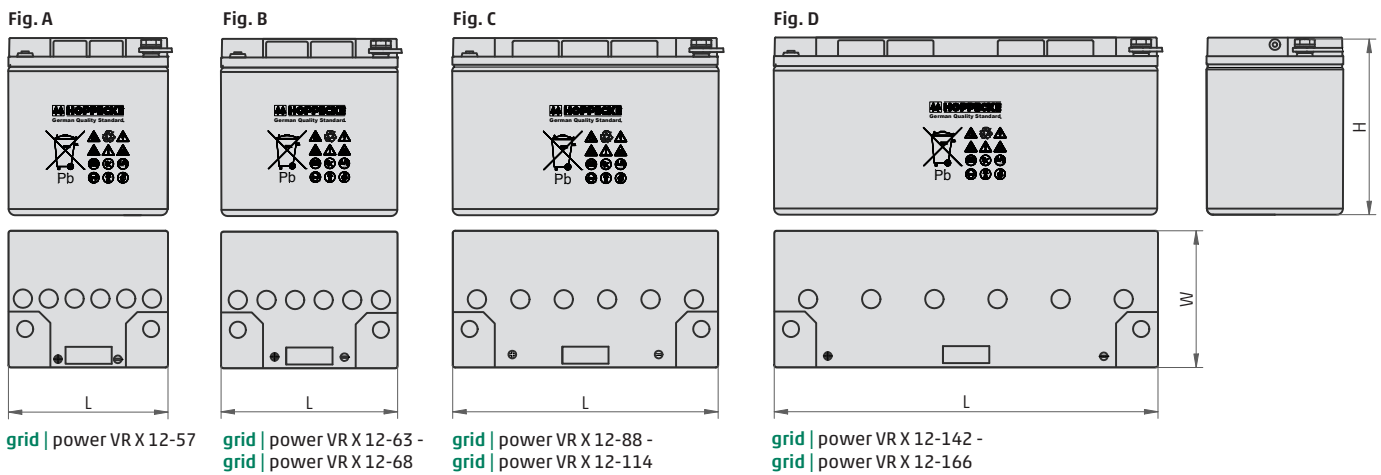
- Maintenance-free regarding water refilling – due to innovative Gel-ESS technology
- Increased energy and power density – due to optimized electrochemistry
- Optimal space utilization – due to horizontal arrangement
- Increased short-circuit safety even during assembly – by using HOPPECKE system connectors
- Easy assembly and installation – battery lid with integral handle
- Maximum compatibility – Dimension VRX-FT correlates with 19"- and 23"-standards

Type overview **grid** | power VR X and VR X-FT

Capacities, dimensions and weights

Type	C ₁₀ /1.80 V Ah	C ₅ /1.75 V Ah	C ₃ /1.70 V Ah	C ₁ /1.70 V Ah	C _{1/2} /1.65 V Ah	C _{1/6} /1.65 V Ah	Weight kg	Length L mm	Width W mm	Height H mm	Fig.
grid power VR X 12-57	57	54	50	38	31	22	20.2	207	177	230	A
grid power VR X 12-63	63	61	59	50	42	30	23.8	229	177	230	B
grid power VR X 12-68	68	66	64	55	49	36	26.0	229	177	230	B
grid power VR X 12-88	88	89	85	68	54	38	33.0	344	177	230	C
grid power VR X 12-102	102	97	91	74	64	47	35.6	344	177	230	C
grid power VR X 12-114	114	109	104	89	76	53	40.2	344	177	230	C
grid power VR X 12-142	142	140	134	108	88	61	48.8	498	177	230	D
grid power VR X 12-153	153	146	138	112	97	70	51.3	498	177	230	D
grid power VR X 12-166	166	158	150	125	106	71	55.8	498	177	230	D
grid power VR X-FT 12-90	88	84	79	65	55	39	31.5	383	105	265	E
grid power VR X-FT 12-115	113	104	97	77	63	45	36.4	541	125	217	F
grid power VR X-FT 12-170	168	156	142	104	81	59	52.4	541	125	302	F
grid power VR X-FT 12-180	177	171	164	132	106	70	59.2	541	125	302	F

C₁₀, C₅, C₃, C₁, C_{1/2} and C_{1/6} = Capacity at 10 h, 5 h, 3 h, 1 h, 1/2 h and 1/6 h discharge



Design life: 12 years (according to EUROBAT)

Optimal environmental compatibility – closed loop for recovery of materials in an accredited recycling system

